

## Hinges

Detachable, for Welding, Steel

### SPECIFICATION

#### Types

- Type **ST**: With fixed steel pin
- Type **MS**: With fixed brass pin
- Type **STL**: With loose steel pin
- Type **STS**: With fixed steel pin and lubricating nipple

Steel

Plain

Pin

- Steel, plain (Type ST / STS / STL)
- Brass (Type MS)

Washer

Brass

Lubricating nipple DIN 71412-D  
Steel, zinc plated



### INFORMATION

Hinges GN 128 are produced from drawn weldable profiled steel extrusions.

Types ST, STS and MS feature a hinge pin fixed in the lower half of hinge. Type STL with loose steel pin allows the easy installation when attaching several hinges in parallel or if the door is very heavy.

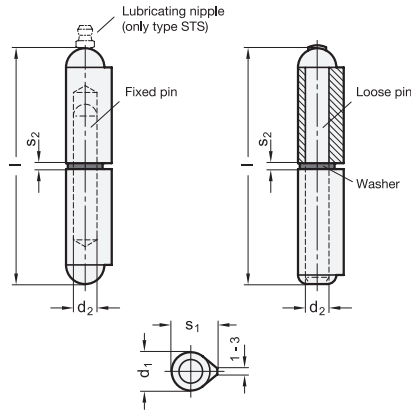
The upper half of Type STS hinge has an additional lubricating nipple DIN 71412-D which allows the hinges to be lubricated without dismantling the hinges.

### TECHNICAL INFORMATION

- List of hinges types (see page 1362)

Type ST / STS / MS

Type STL



### GN 128-ST

Description	l	d1	d2 Pin	s1	s2	⚖️
GN 128-40-ST	40	8	5	10	1.8	15
GN 128-50-ST	50	8	5	10	1.8	19
GN 128-60-ST	60	10	6	12	1.8	36
GN 128-80-ST	80	13	8	15.5	2	85
GN 128-100-ST	100	16	10	20	2.25	150
GN 128-120-ST	120	16	11	20	2.25	198
GN 128-135-ST	135	18	12	23	2.5	270
GN 128-150-ST	150	20	13	25.5	2.5	350
GN 128-180-ST	180	20	14	25.5	2.5	450
GN 128-200-ST	200	23	16	28.5	3	673

### GN 128-MS

Description	l	d1	d2 Pin	s1	s2	⚖️
GN 128-40-MS	40	8	5	10	1.8	15
GN 128-50-MS	50	8	5	10	1.8	19
GN 128-60-MS	60	10	6	12	1.8	35
GN 128-80-MS	80	13	8	15.5	2	83
GN 128-100-MS	100	16	10	20	2.25	160
GN 128-120-MS	120	16	11	20	2.25	202
GN 128-135-MS	135	18	12	23	2.5	286
GN 128-150-MS	150	20	13	25.5	2.5	393
GN 128-180-MS	180	20	14	25.5	2.5	472
GN 128-200-MS	200	23	16	28.5	3	660

### GN 128-STL

Description	l	d1	d2 Pin	s1	s2	⚖️
GN 128-80-STL	80	13	8	15.5	2	85
GN 128-100-STL	100	16	10	20	2.25	150
GN 128-120-STL	120	16	11	20	2.25	198
GN 128-135-STL	135	18	12	23	2.5	270
GN 128-150-STL	150	20	13	25.5	2.5	350
GN 128-180-STL	180	20	14	25.5	2.5	450
GN 128-200-STL	200	23	16	28.5	3	673

### GN 128-STS

Description	l	d1	d2 Pin	s1	s2	⚖️
GN 128-80-STs	80	13	8	15.5	2	84
GN 128-100-STs	100	16	10	20	2.25	158
GN 128-120-STs	120	16	11	20	2.25	198
GN 128-135-STs	135	18	12	23	2.5	273
GN 128-150-STs	150	20	13	25.5	2.5	380
GN 128-180-STs	180	20	14	25.5	2.5	470
GN 128-200-STs	200	23	16	28.5	3	670